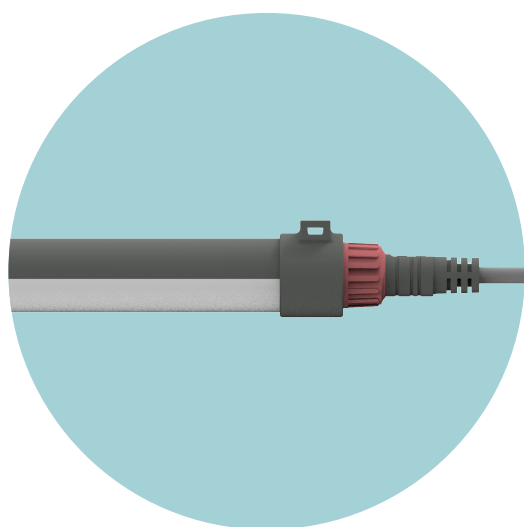


# FERAX

The FERAX is a unique solution to upgrade a traditionally lighted piggery into a modern and efficient LED lighted house.

It fulfils the needs of pigs by optimising their vision, health and performances in multiple ways.



## Specifications

Operating voltage:	100 ~ 240VAC (50 ~ 60Hz)
Power factor:	>0.9
Power consumption:	18W / 24W / 36W
Light output:	1950lm / 2500lm / 3700lm
Efficacy:	105lm/W
Light technology (+connection):	LED, 2 pole connection cable
Light colour:	5000K
CRI:	80
Dimmer type:	Not dimmable (on/off)
Flicker-free:	No
Expected average lifetime:	30,000 hours
Operating temp.:	-20 ~ +40°C
IP:	IP67
Nett weight:	410g / 470g / 580g
Housing:	PC
End caps:	ABS
Warranty:	2 years
Application:	Pigs

## Accessories



HATO Junction Box (optional)



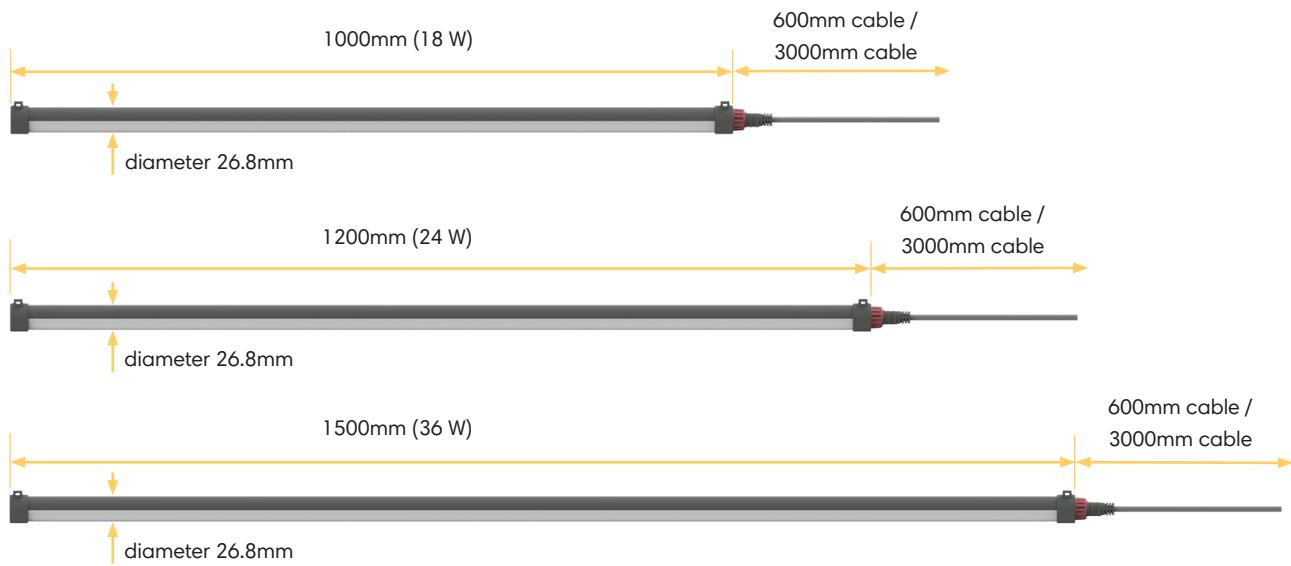
LAC-29



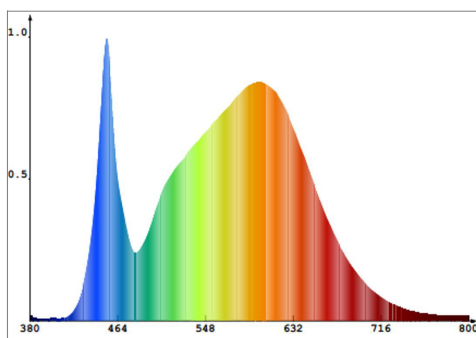
FERAX CABLE 0.6 meter  
FERAX CABLE 3 meter

# FERAX

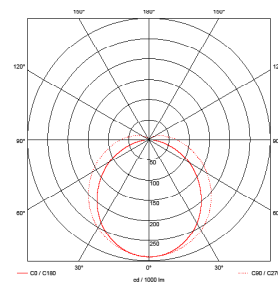
## Dimensions



## Light spectrum



## Light distribution



FERAX-24W-1.2M-850 light spread

## Extra info

Maximum number of lamps per circuit breaker:

B10	15 lamps
C10	25 lamps
B16	24 lamps
B16	40 lamps

Inrush current:

30A/220VAC (cold start)

## Markings



\*\* Protection test against penetration of water IPX7  
(protected against the effect of immersion between 15cm and 1m)